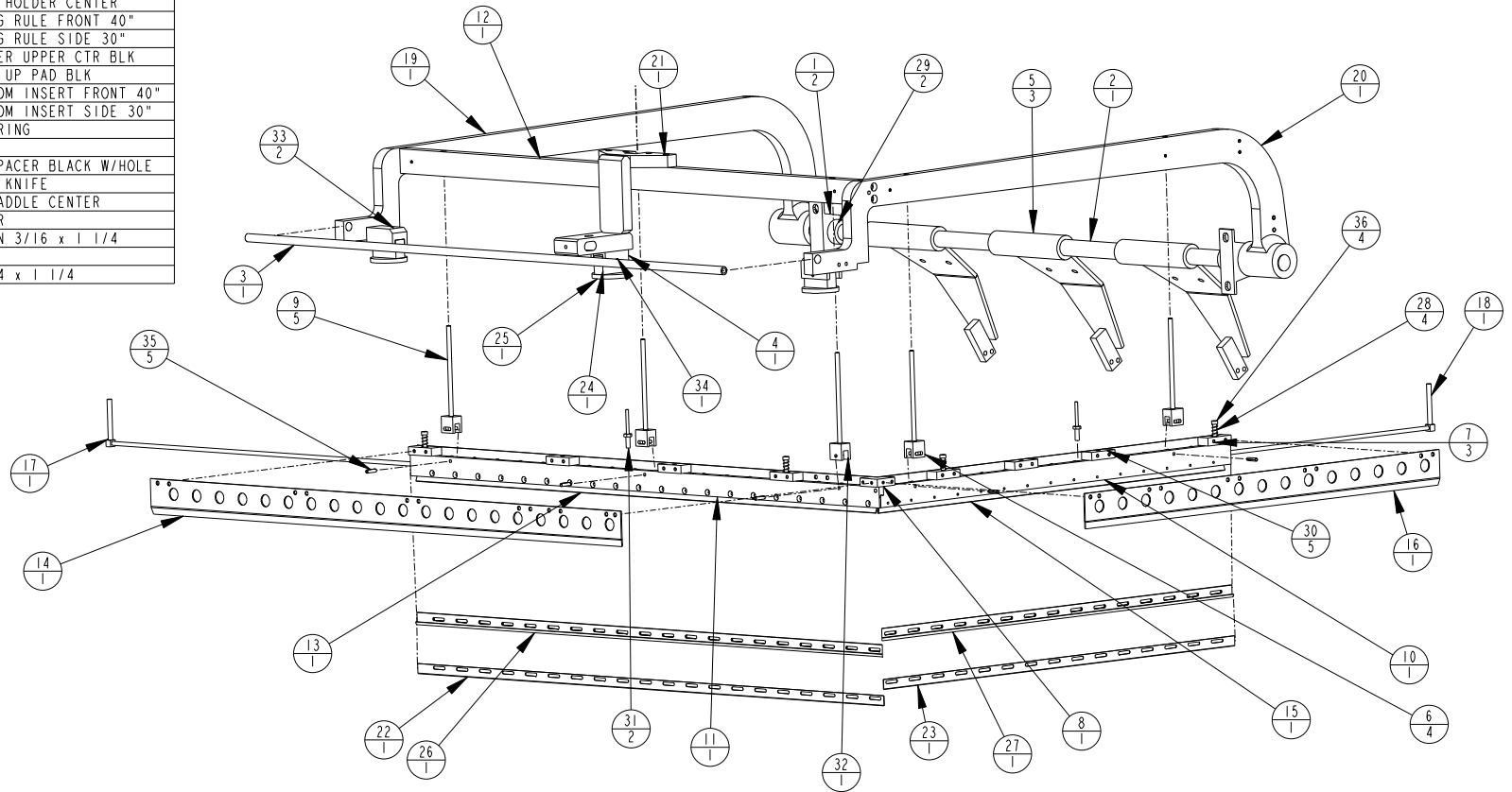


PART NO.	QTY	ITEM	DESCRIPTION
EAST0022	2	1	PILLOW BLOCK 1"
EAST0049	1	2	REAR SHAFT FOR 40" LONG MACHINE
EAST0247	1	3	HANDLE FOR 40" LONG MACHINE
EAST0338	1	4	MAGNET HOLDER UPPER CENTER
EAST0456	3	5	W/F-HEAD RETURN ARM 6"
EAST0511	4	6	MACH-HOT KNIFE SADDLE
EAST0514	3	7	MACH-HOT KNIFE SPACER BLK
EAST0515	1	8	MACH-HOT KNIFE CORNER SPACER
EAST0560	5	9	MACH-HOT KNIFE THRD RD 5/16" X 6"
EAST0615	1	10	HOT KNIFE SEAL BAR SIDE 30"
EAST0616	1	11	HOT KNIFE SEAL BAR FRONT 40"
EAST0621	1	12	H.K. CROSS OVER BAR 40
EAST0622	1	13	H.K. SAFETY SHIELD FRONT INNER 40"
EAST0623	1	14	H.K. SAFETY SHIELD FRONT OUTER 40"
EAST0624	1	15	H.K. SAFETY SHIELD SIDE INNER 30"
EAST0625	1	16	H.K. SAFETY SHIELD SIDE OUTER 30"
EAST0629	1	17	FIREROD CART 220V 40" LONG
EAST0630	1	18	FIREROD CART 220V 30" LONG
EAST0631	1	19	H.K. ARM CASTING 30" EXIT
EAST0632	1	20	H.K. ARM CASTING 30" INFEED
EAST0810	1	21	HOT KNIFE MAGNET HOLDER CENTER
EAST0818	1	22	HOT KNIFE CUTTING RULE FRONT 40"
EAST0819	1	23	HOT KNIFE CUTTING RULE SIDE 30"
EAST0900	1	24	MACH-MAGNET HOLDER UPPER CTR BLK
EAST0901	1	25	MACH-MAGNET HOLD UP PAD BLK
EAST0916	1	26	HOT KNIFE MUSHROOM INSERT FRONT 40"
EAST0917	1	27	HOT KNIFE MUSHROOM INSERT SIDE 30"
EAST1007	4	28	SAFETY SHIELD SPRING
EAST1018	2	29	COLLAR 1"
EP000095	5	30	MACH-HOT KNIFE SPACER BLACK W/HOLE
EP000535	2	31	THERMOCOUPLE HOT KNIFE
ESCO0037	1	32	MACH-HOT KNIFE SADDLE CENTER
SUBA0065	2	33	ASSY-MAGNET UPPER
WH209	1	34	SPLIT TENSTON PIN 3/16 x 1 1/4
XH348	5	35	SPLIT PIN 3/16
XH360	4	36	BOLT SHOULDER 1/4 x 1 1/4

REVISIONS						
REV	ECO #	DESCRIPTION	DRAFT	CHKR	APPR	DATE
1	-/-	INITIAL RELEASE	TMS	TMS	TMS	9-16-13



UNLESS OTHERWISE SPECIFIED .XX = ± 0.01 .XXX = ± 0.001 ANGLE = ± 0.5 INTERPRET DIM AND TOL PER ASME Y14.5M-1994	MATERIAL SEE BOM	<b>ENGAGE</b> <i>technologies corporation</i> Squid Ink Cogent Technologies Hestey Enterprises Ez-Tek Industries 7041 Boone Ave. N. Brooklyn Park, Mn 55428 1-800-735-2529		
THIRD ANGLE PROJECTION 	FINISH N/A			
DRAWN BY TMS   9-16-13 MODELED BY TMS   9-16-13	TITLE ASSY-HOT KNIFE KIT EM3040			
THIS DOCUMENT AND THE DATA DISCLOSED HEREIN OR HERewith IS NOT TO BE REPRODUCED, USED OR OTHERWISE DISCLOSED IN WHOLE OR IN PART TO ANYONE WITHOUT THE WRITTEN CONSENT OF ENGAGE TECHNOLOGIES.	SIZE A	MODEL NUMBER SUBA0211-3040	DRAWING NUMBER SUBA0211-3040	REV 1
	SCALE 0.090	SHEET 1 OF 1		