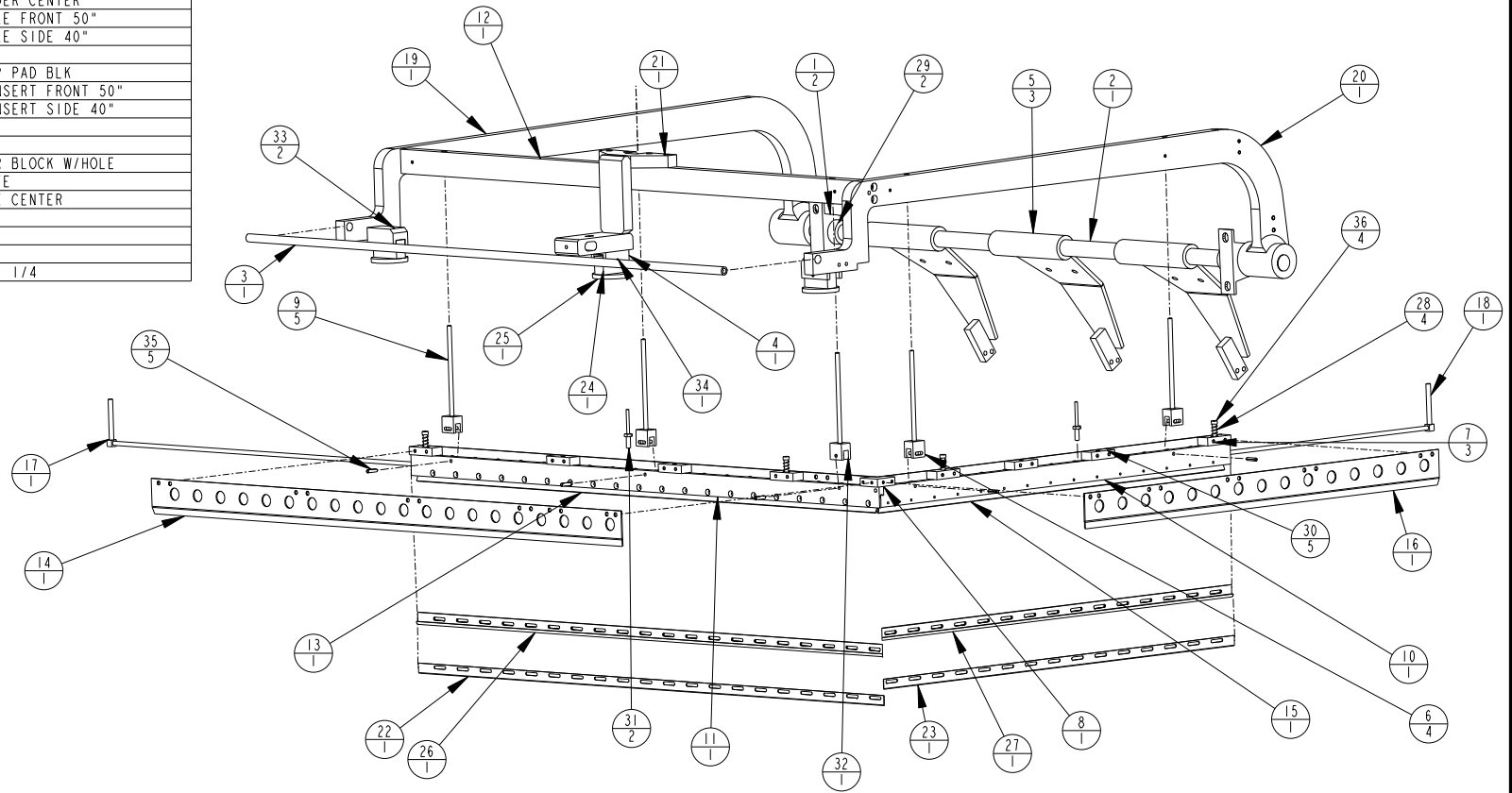
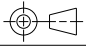


PART NO.	QTY	ITEM	DESCRIPTION
EAST0022	3	1	PILLOW BLOCK 1"
EAST0046	1	2	REAR SHAFT EM50
EAST0745	1	3	HANDLE FOR SEALER EM50
EAST0338	1	4	MAGNET HOLDER UP EM40
EAST0456	3	5	W/F-HEAD RETURN ARM 6"
EAST0511	5	6	MACH-HOT KNIFE SADDLE
EAST0514	3	7	MACH-HOT KNIFE SPACER BLK
EAST0515	1	8	MACH-HOT KNIFE CORNER SPACER
EAST0560	7	9	MACH-HOT KNIFE THRD RD 5/16" X 6"
EAST0775	1	10	HOT KNIFE SEAL BAR UP 40"
EAST0785	1	11	HOT KNIFE SEAL BAR FRONT 50"
EAST0790	1	12	CROSS OVER BAR 50"
EAST0788	1	13	SAFETY SHIELD INNER 50" FRONT
EAST0789	1	14	SAFETY SHIELD OUTER 50" FRONT
EAST0778	1	15	H.K. SAFETY SHIELD SIDE INNER 40"
EAST0779	1	16	H.K. SAFETY SHIELD SIDE OUTER 40"
EAST0678	1	17	FIREROD CARTRIDGE 220V 50"
EAST0629	1	18	FIREROD CARTRIDGE 220V 40"
EAST0781	1	19	HOT KNIFE ARM CASTING EXIT 40"
EAST0782	1	20	HOT KNIFE ARM CASTING INFEED 40"
EAST0810	1	21	HOT KNIFE MAGNET HOLDER CENTER
EAST0837	1	22	HOT KNIFE CUTTING RULE FRONT 50"
EAST0867	1	23	HOT KNIFE CUTTING RULE SIDE 40"
EAST0900	1	24	MAGNET HOLDER UPPER
EAST0901	1	25	MACH-MAGNET HOLDER UP PAD BLK
EAST0786	1	26	HOT KNIFE MUSHROOM INSERT FRONT 50"
EAST0776	1	27	HOT KNIFE MUSHROOM INSERT SIDE 40"
EAST1007	4	28	SAFETY SHIELD SPRING
EAST1018	2	29	COLLAR 1"
EP000095	5	30	MACH-HOT KNIFE SPACER BLOCK W/HOLE
EP000535	2	31	THERMOCOUPLE HOT KNIFE
ESC00037	1	32	MACH-HOT KNIFE SADDLE CENTER
SUBA0065	2	33	ASSY-MAGNET UPPER
WH209	1	34	SPLIT TENSION PIN
XH348	7	35	SPLIT PIN 3/16
XH360	4	36	BOLT SHOULDER 1/4 x 1 1/4

REVISIONS						
REV	ECO #	DESCRIPTION	DRAFT	CHKR	APPR	DATE
1	-/-	INITIAL RELEASE	MCM	MCM	MCM	8/27/14



UNLESS OTHERWISE SPECIFIED .XX = ± 0.01 .XXX = ± 0.001 ANGLE = ± 0.5 INTERPRET DIM AND TOL PER ASME Y14.5M-1994 THIRD ANGLE PROJECTION 	MATERIAL SEE BOM	ENGAGE <i>technologies corporation</i>	Squid Ink Cogent Technologies		Hestey Enterprises Ex-Tek Industries	
	FINISH N/A		7041 Boone Ave. N. Brooklyn Park, Mn 55428 1-800-877-3628			
	DROWN BY MCM 8/27/14	TITLE ASSY-HOT KNIFE SEAL HEAD EM4050 SUB0211-4050				
	MODELED BY MCM 8/27/14	SIZE	MODEL NUMBER	DRAWING NUMBER	REV	
THIS DOCUMENT AND THE DATA DISCLOSED HEREIN OR HEREWITH IS NOT TO BE REPRODUCED, USED OR OTHERWISE DISCLOSED IN WHOLE OR IN PART TO ANYONE WITHOUT THE WRITTEN CONSENT OF ENGAGE TECHNOLOGIES.		A	SUBA0211-3040	SUBA0211-4050	1	
	SCALE 0.090	SHEET 1 OF 1				