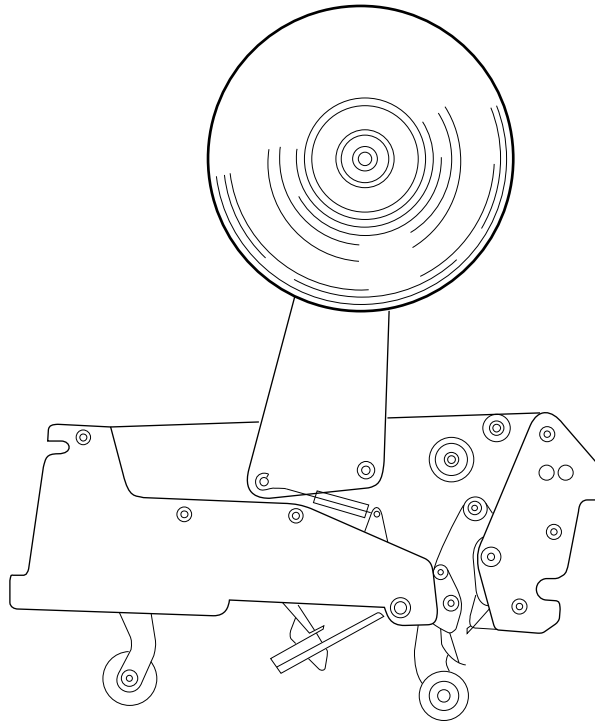


EZ-EX

Tape Head (2" & 3")

**EZ-EX Tape Cartridge for
Easteley Industrial Case Tapers**

User Guide



EASTELEY[®]

EZ-EX Tape Head (2" & 3")

EZ-EX Tape Cartridge for Eastey Industrial Case Tapers

User Guide

Revised 12/09/2016

P/N 5001691 Rev C

Copyright and Trademarks

Copyright ©2016 Eastey Enterprises
All rights reserved. All trademarks and brand names
are the property of their respective owners.

Eastey Enterprises, Inc.
7041 Boone Ave. N.
Brooklyn Park, MN 55428

Phone: (763) 428-4846; Fax (763) 795-8867; 1-800-835-9344

www.eastey.com

Contents:

- Safety 7**
- Introduction 9**
 - General Description 9
- Operation 11**
 - Load Tape 11
 - Check Tension 12
 - Thread Tape..... 12
 - Main Spring..... 13
- Maintenance 15**
 - Rollers..... 15
 - Cutting Knives 15
 - Changing Knife Blades..... 15
- Troubleshooting 19**
- Parts List..... 21**
 - Front Arm Assembly – 5000019 23
 - Rear Arm Assembly – 5001209 25
 - Knife Arm Assembly – 5000107 26
- Warranty Statement 27**
- Customer Support..... 29**

Safety

General Safety Precautions

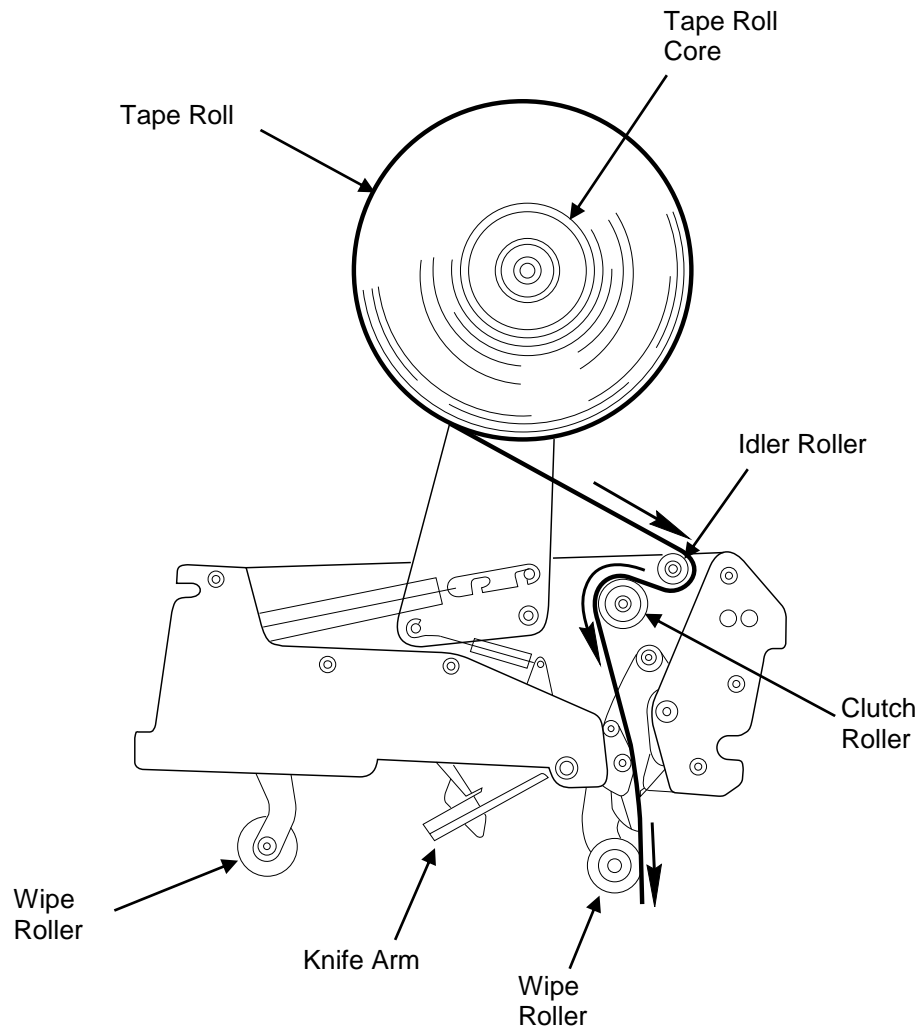
Before installing, operating or servicing the tape cartridge please read the following precautions carefully:

- The case taper is equipped with moving belts. Do not place hands near the rear of this unit when the belts are moving, as fingers may be pinched where belts enter the frame. We suggest the use of a roller-type exit conveyor or pack table for your cases. Always remove boxes after they clear the exit end of the machine.
- Observe caution when near the tape heads or when threading tape. The knife is very sharp, automatically operated and is linked to the wipe down rollers.
- Do not attempt to open or work on the electrical box, junction boxes or other electrical or mechanical components of the case taper without first disconnecting power to it. Electrical shock hazard exists if power is not disconnected.
- Do not by-pass any factory-designed safety features such as knife guards, interlocks, switches, etc.
- Do not place hands or body inside the confines of the machine unless the head mechanism is securely fastened, and the electrical supply is shut off and air supply (if applicable) is shut off.
- Never provide service or clear a box jam when machine is running.
- When feeding a box into the unit, always hold down the box top and present the box to unit. Release hands as soon as the belts begin to take the box.
- Do not wear loose clothing such as ties, scarves, jewelry etc. Long hair should be pulled back and/or covered while operating the case taper.

Introduction

General Description

The EZ-EX tape cartridge is designed as a single cartridge to hold, tension, apply and cut tape to cases as they pass through the Eastey Industrial Case Sealing System.



Operation

Load Tape

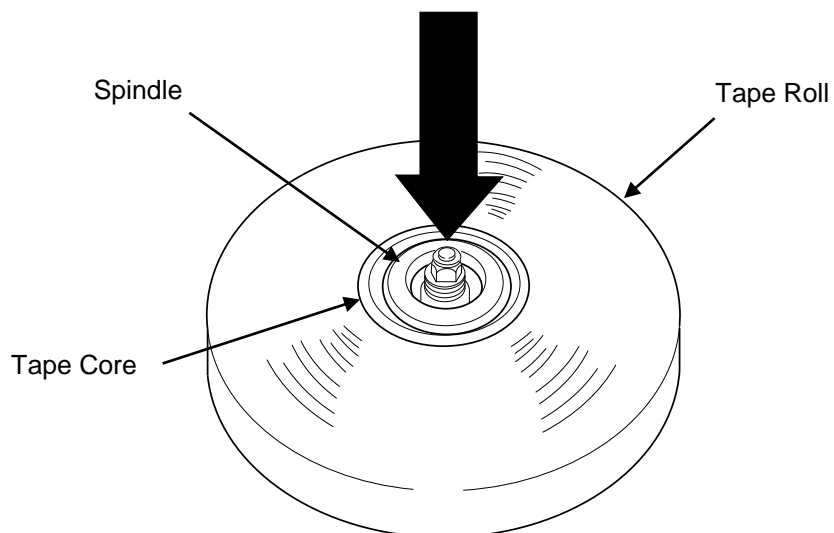
Press the Stop switch and disconnect power to the case taper before loading tape.

CAUTION! To avoid personnel injury, remove the tape head from the case taper before loading tape.

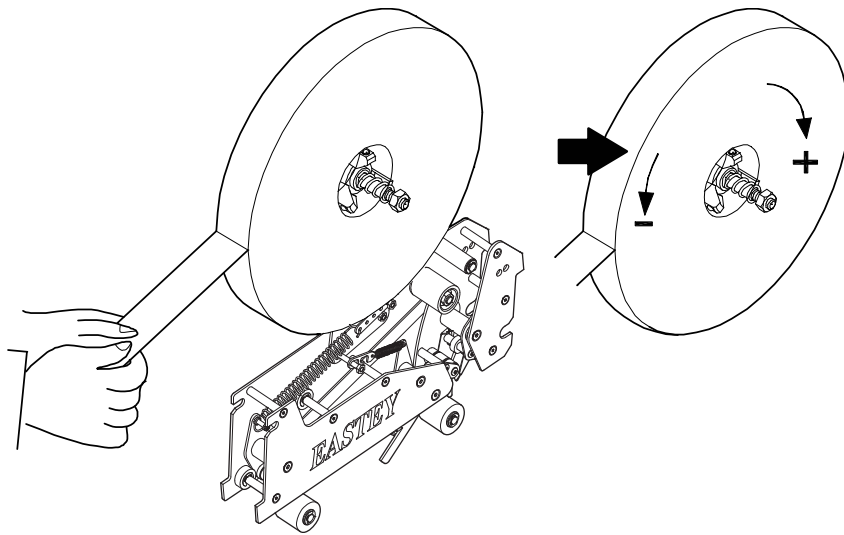
When handling the tape head, be careful to avoid contact with the tape cutting blade.

If present, remove core of spent tape roll. Push the new tape roll onto the spindle.

NOTE: Make sure the tape roll is pushed all the way onto the spindle assembly.



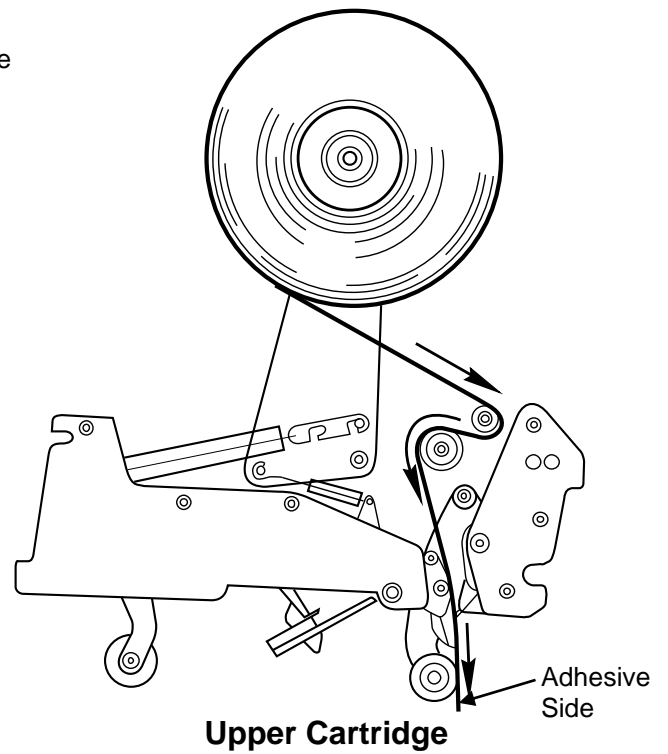
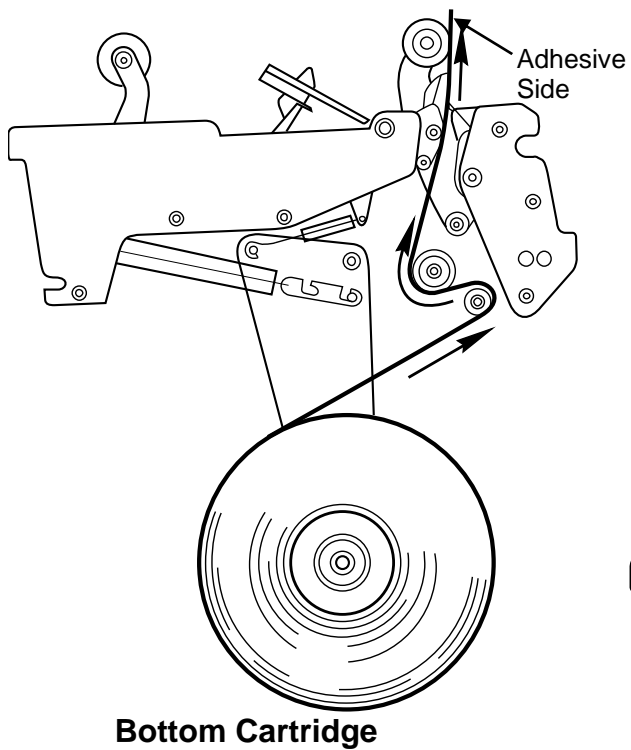
Check Tension



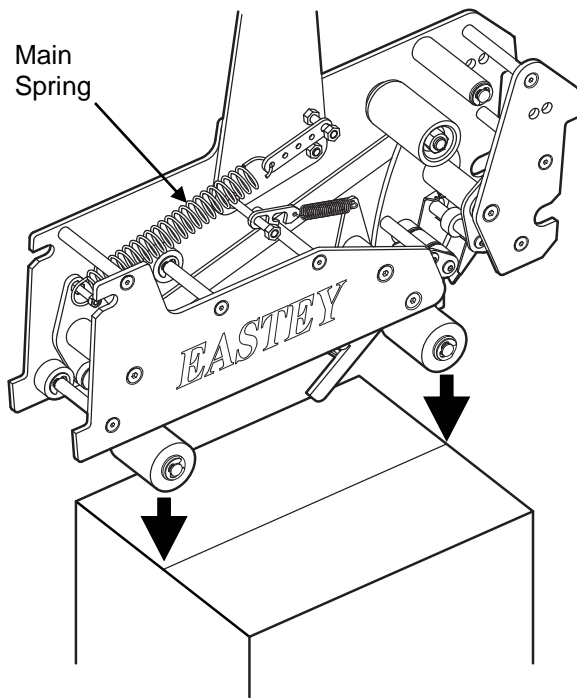
Check the tape for correct tension. Tighten or loosen the tape core holder to adjust tension.

Thread Tape

Carefully thread the new tape according to one of the following diagrams.



Main Spring



For sealing light weight boxes, decrease the main spring tension. For heavier boxes, increase the main spring tension.

When setting tension for the rollers, consider the amount of pressure on the box flaps required to make the seal. Cartons completely filled to the top with product may require more pressure on top and bottom seams when applying tape than partially-filled cartons, where excessive pressure could possibly crush the carton.

Maintenance

The EZ-EX Tape Cartridge will provide many hours of maintenance free operation. There are a few items that may require attention from time to time.

Rollers

Make sure rollers stay clean and grease free. If you should have to clean the rollers simply wipe them down with a clean lint free cloth. If a more thorough cleaning is necessary wipe the rollers down with a mild detergent and water and let dry. **Never use harsh or abrasive cleaners or chemical agents when cleaning the rollers.**

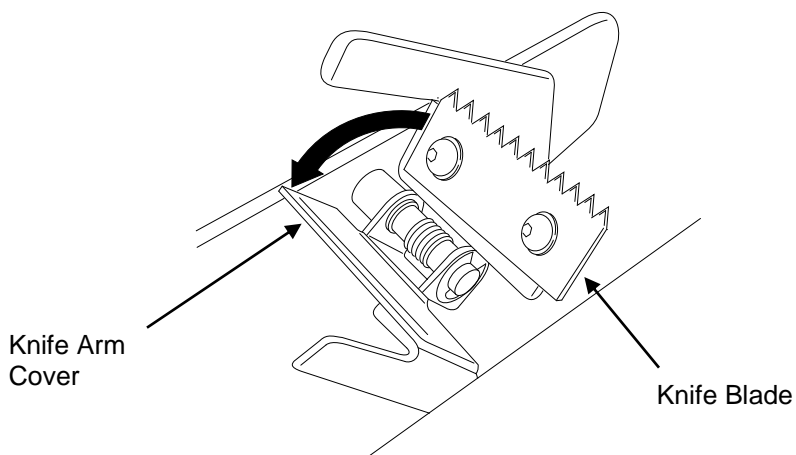
Cutting Knives

Occasionally inspect the cutting knives to ensure they are clean and free of adhesive residue. Make sure the cutting knife is sharp by inspecting cuts in the tape. Cuts should be straight and neat. If the quality of cuts is eroding, the knife blade is dull and should be replaced.

Changing Knife Blades

CAUTION! Always be aware of the cutting edges while replacing the knife blades. Handle the knife blades carefully.

Open knife arm cover.

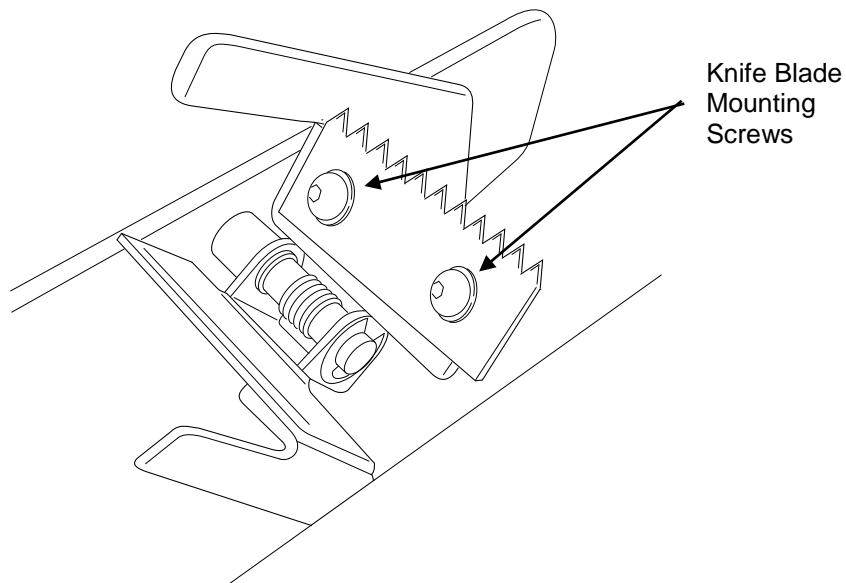


For the upper tape cartridge remove the cartridge from the machine before changing the knife blade. The lower cartridge can remain in the taper while changing the lower knife blade.

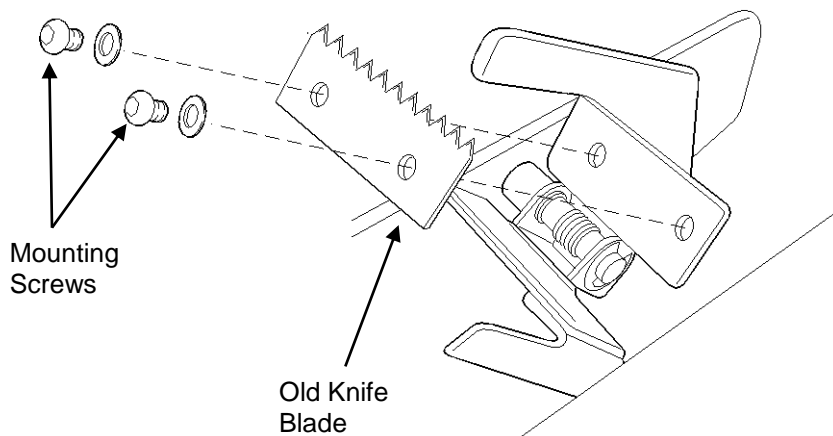
NOTE: The blade guard is spring-actuated, so it will be necessary to hold or block it in place while changing the blade.

CAUTION! Always be aware of the cutting edges while replacing the knife blades. Handle the knife blades carefully.

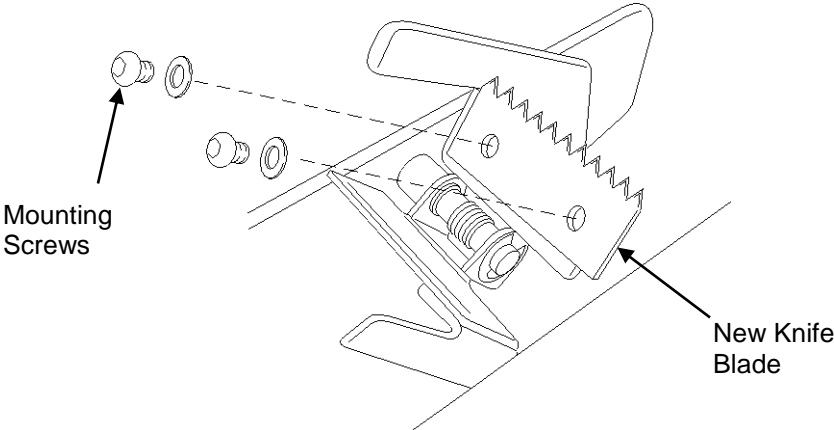
Remove the two knife blade mounting screws.



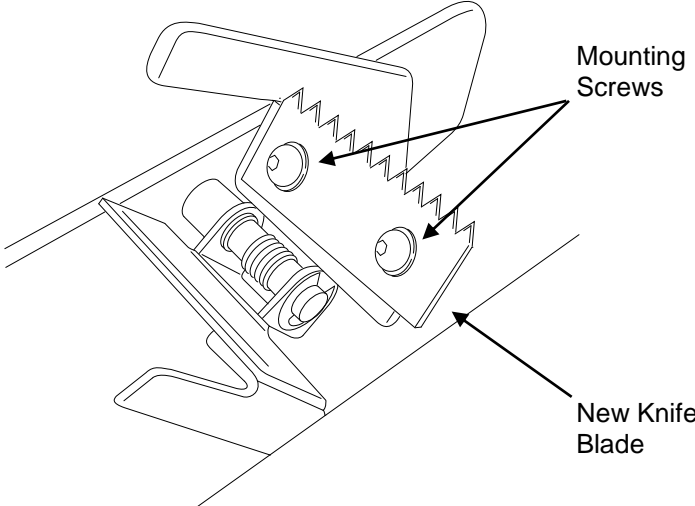
Carefully, handling the blade by the sides, remove the used blade.



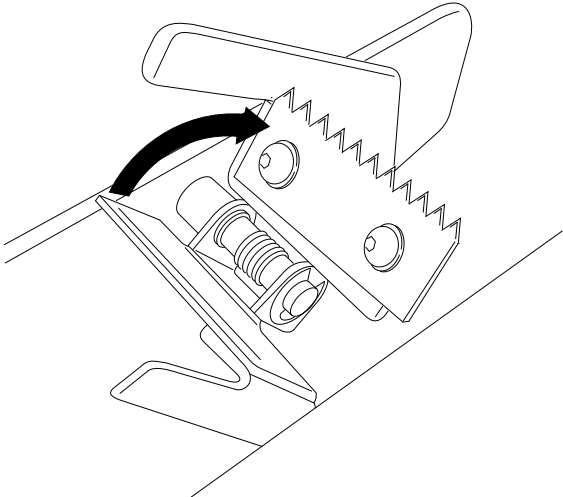
Install a new knife blade.



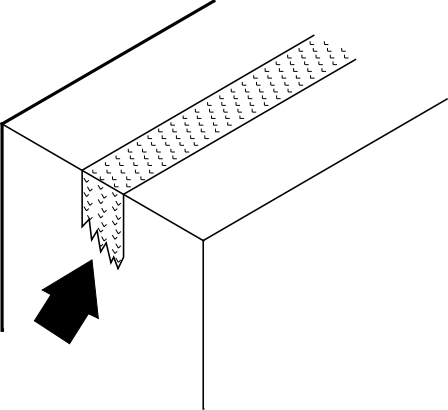
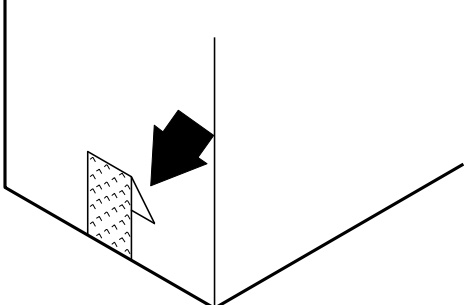
Replace mounting screws.

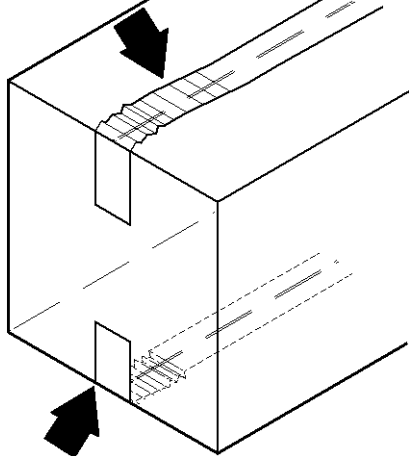


Close knife arm cover.



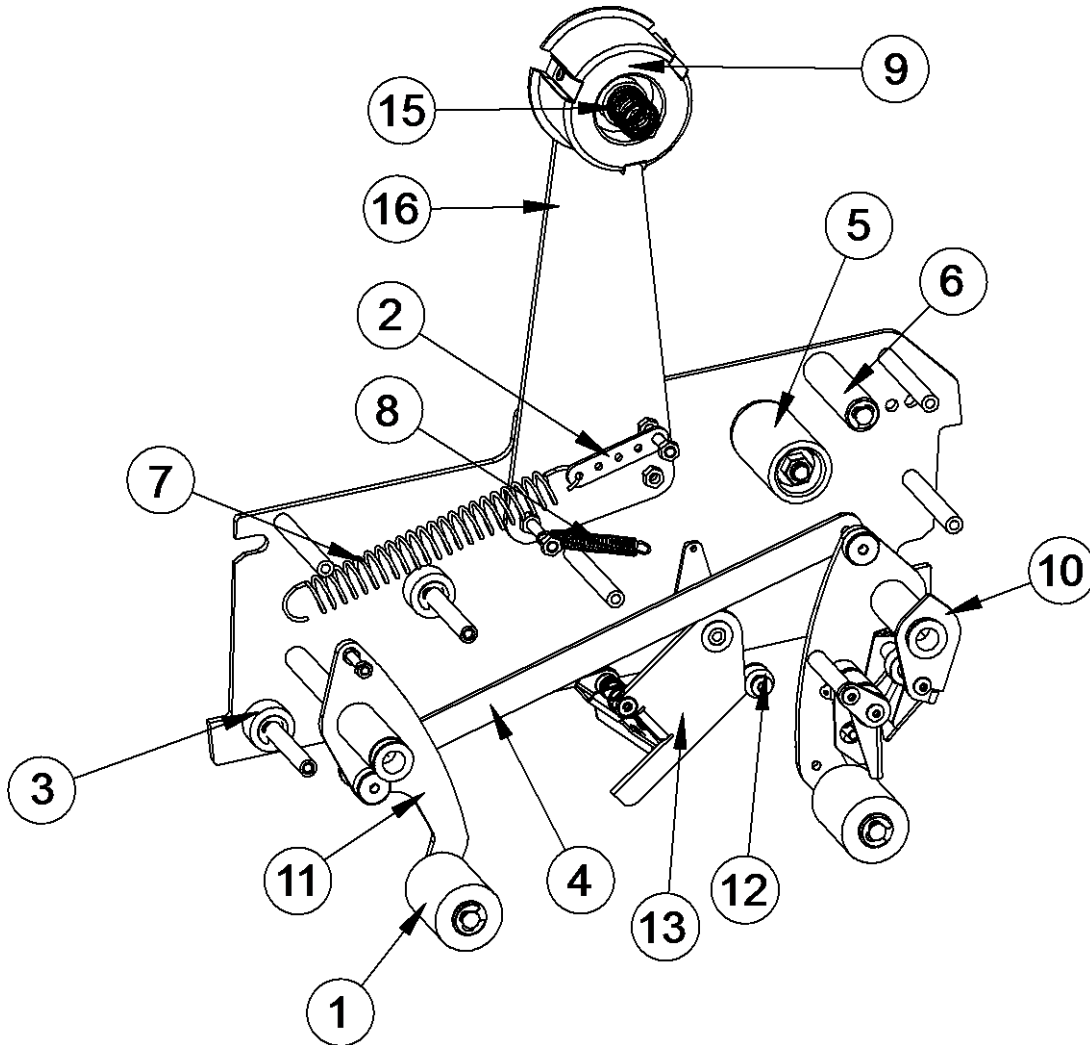
Troubleshooting

| Problem | Solution |
|---|--|
| <p>Uneven Tape Leg on Front</p> | <ul style="list-style-type: none"> • Tape tension is too low. Tighten the one-way clutch roller and/or the tape core. • Adjust the one-way clutch roller in the slot so it is slightly beyond the front wipe roller. • Adjust the tape leg length. See Tape Leg Adjustment section. |
| <p>Uneven Tape Leg Rear</p> | <ul style="list-style-type: none"> • Too much tape tension. Adjust the one-way clutch and or tape core. • Clean and ensure all rollers move freely. Lubricate all roller slots. • Tighten main spring. |
| <p>Uneven or Torn Tape</p>  | <ul style="list-style-type: none"> • Blade is dull. Replace blade. • Tape tension is incorrect. Increase tension. • Clean and adjust blade. • Blade mounted incorrectly or backwards. • Knife arm spring is worn. Replace knife arm spring. • Adjust cartridge height. |
| <p>Tape Folding</p>  | <ul style="list-style-type: none"> • Check that all rollers turn freely. • Check to be sure tape is threaded properly on front roller (page 12). • Check wipe down brush. |

| Problem | Solution |
|---|--|
| <p data-bbox="186 275 625 310">Tape Curling and Bunching Up</p>  | <ul data-bbox="732 275 1414 472" style="list-style-type: none"><li data-bbox="732 275 1414 346">• Adjust the tape cartridge height (approximately .06 inches from box)<li data-bbox="732 401 1414 472">• Check tape tension set by the spring tension at the tape core. |

Parts List

Parts Listed for 2" tape head. Call for 3" parts reference.

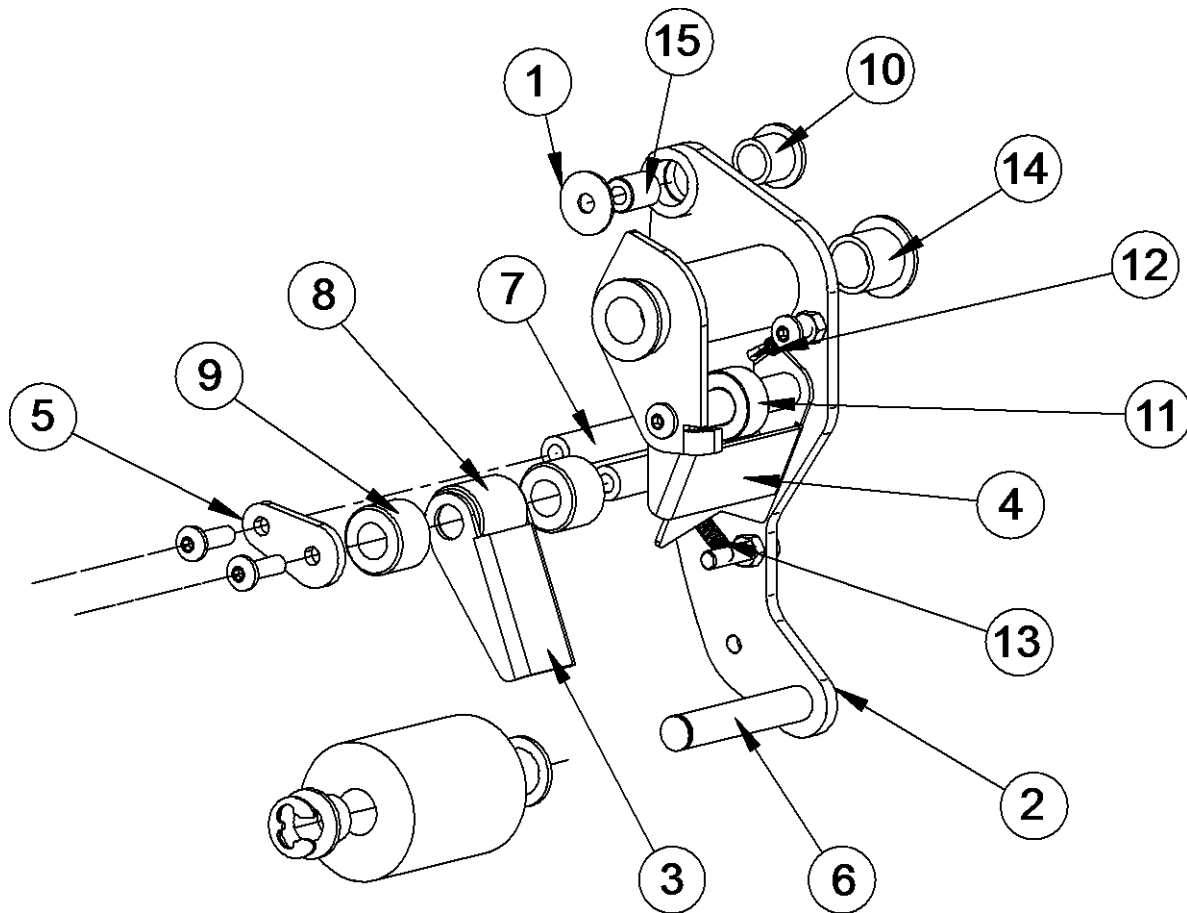


| ITEM | Q'TY | PART NO. | DESCRIPTION | OLD P/N |
|------|------|----------|---------------------------------------|--------------|
| 1 | 2 | 5000091 | ASS'Y - 2-INCH ROLLER | C22-21-015 |
| 2 | 1 | 5000085 | SPRING ADJUSTER, MAIN | C22-20-065 |
| 3 | 1 | 5000082 | ASS'Y - SPACER, BASE PLATE | |
| 4 | 1 | 5000097 | FAB - CONNECTING LINK | C22-21-061 |
| 5 | 1 | 5000837 | ASS'Y - 2-INCH CLUTCH ROLLER | CRA-15 |
| 6 | 1 | 5000141 | ASS'Y - IDLER ROLLER 2-INCH CARTRIDGE | IR-2AS |
| 7 | 1 | 5000824 | SPRING MAIN | P12 |
| 8 | 1 | 5001259 | SPRING KNIFE ARM | P13, 5000822 |
| 9 | 1 | 5000688 | ASS'Y - TAPE CORE, 2-INCH C22 | TC201 |

22 Parts List

| ITEM | Q'TY | PART NO. | DESCRIPTION | OLD P/N |
|------|------|----------|-------------------------------------|------------|
| 10 | 1 | 5000019 | ASS'Y – FRONT ARM, 2-INCH CARTRIDGE | |
| 11 | 1 | 5001209 | ASS'Y – REAR ARM, 2-INCH CARTRIDGE | |
| 12 | 1 | 5001210 | ASS'Y – KNIFE ARM STOP | |
| 13 | 1 | 5000107 | ASS'Y – 2-INCH KNIFE ARM | KA-2 |
| 14 | 2 | 5000089 | RUBBER STOPPER, CARTRIDGE & BB | |
| 15 | 1 | 5001203 | SPRING – TAPE CORE | |
| 16 | 1 | 5000124 | FAB – TAPE CORE ARM | C22-25-050 |

Front Arm Assembly – 5000019

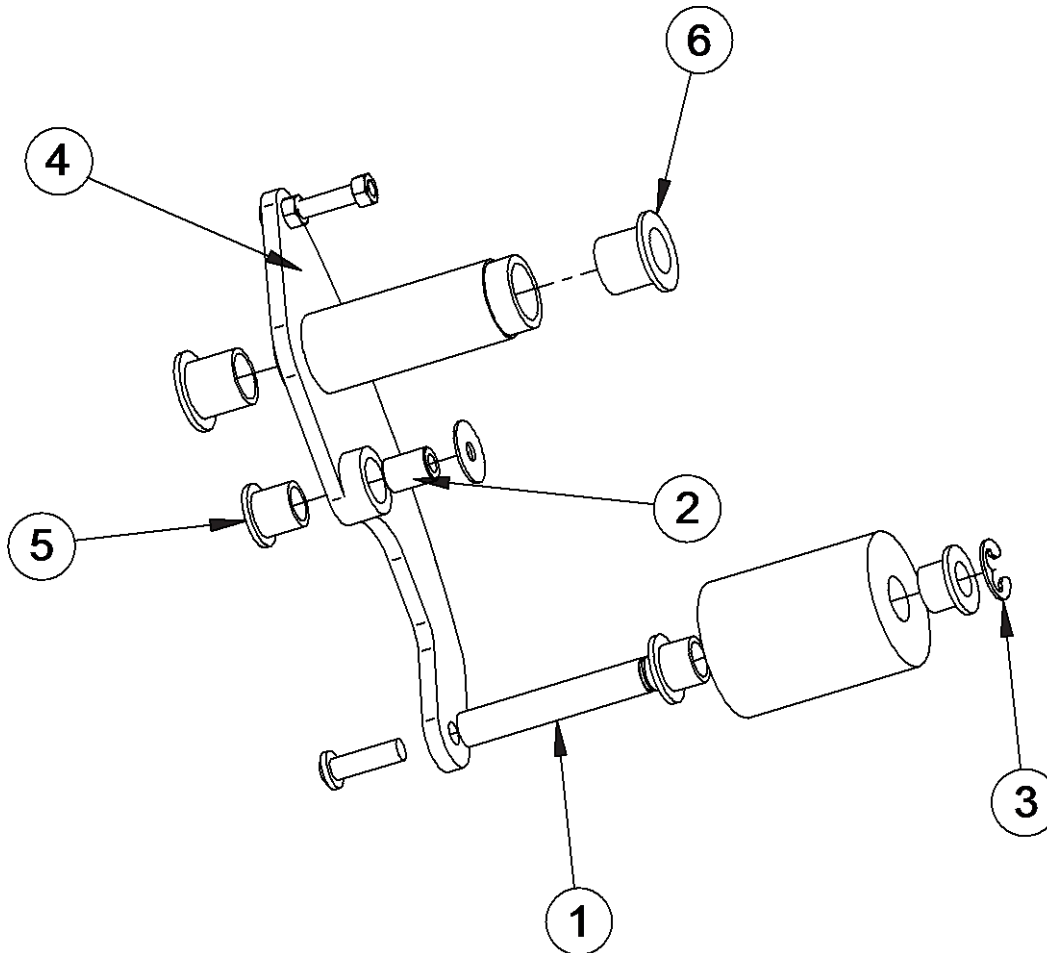


| ITEM | Q'TY | PART NO. | DESCRIPTION | OLD P/N |
|------|------|----------|--|------------|
| 1 | 1 | 5000328 | WASHER – FLAT, STAINLESS #10, 11/16 O.D. | |
| 2 | 1 | 5000019 | ASSEMBLY – FRONT ARM ASSEMBLY 2" | C22-21-052 |
| 3 | 1 | 5000081 | FAB – TAPE GUIDE PLATE | C22-21-053 |
| 4 | 1 | 5000095 | FAB – TAPE HOLD PLATE | C22-21-054 |
| 5 | 1 | 5000682 | FAB – FRONT ARM, TOP (ROLLER) | C22-21-057 |
| 6 | 1 | 5000680 | FAB – SHAFT, ROLLER PIVOT | C22-21-071 |
| 7 | 3 | 5000100 | MACH – TAPE PLATE PIVOT SHAFT | C22-21-072 |
| 8 | 1 | 5000101 | FAB – GUIDE ROLLER, CENTER | C22-21-073 |
| 9 | 2 | 5000102 | FAB – GUIDE ROLLER, SIDE | C22-21-074 |
| 10 | 1 | 5000868 | BUSHING – FLANGED 3/8" I.D., 1/2" O.D. | P1 |
| 11 | 1 | 5000817 | SET SCREW SHAFT COLLAR 3/8" I.D. | P11 |
| 12 | 1 | 5000821 | SPRING FINGER PLATE | P14 |
| 13 | 1 | 5000830 | TAPE GUIDE SPRING | P15 |

24 Parts List

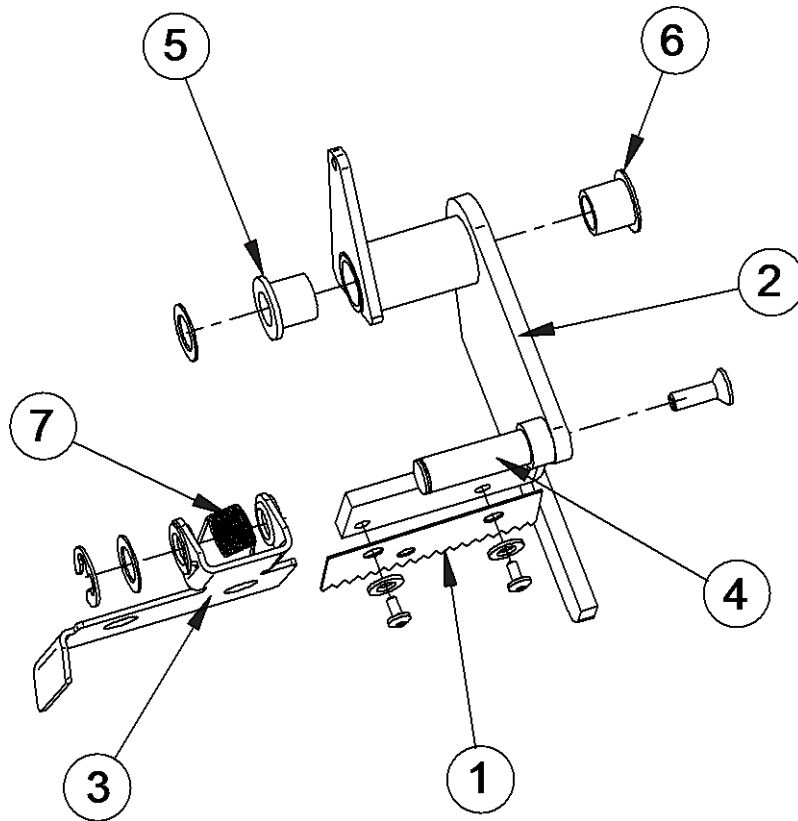
| ITEM | Q'TY | PART NO. | DESCRIPTION | OLD P/N |
|------|------|----------|--|---------|
| 14 | 2 | 5000816 | BUSHING – FLANGE, 1/2" I.D. 5/8" O.D. | P2 |
| 15 | 1 | 5000825 | BUSHING – PLAIN 3/8" O.D. × 0.1197" I.D. | P4 |

Rear Arm Assembly – 5001209



| ITEM | Q'TY | PART NO. | DESCRIPTION | OLD P/N |
|------|------|----------|---|------------|
| 1 | 1 | 5000680 | MACH – SHAFT, ROLLER PIVOT | C22-21-071 |
| 2 | 1 | 5000825 | BUSHING – PLAIN 3/8" O.D., 0.197 I.D. | P4 |
| 3 | 1 | 5000350 | RING, RETAINING, EXT., 3/8" | |
| 4 | 1 | 5000105 | FAB/WELD – REAR ARM, CARTRIDGE | C22-21-054 |
| 5 | 1 | 5000868 | BUSHING – FLANGE, 3/8" I.D., 1/2" O.D. | P1 |
| 6 | 2 | 5000816 | BUSHING – FLANGE, 1/2" I.D., 5/8" O.D. | P2 |
| 7 | 1 | 5000328 | WASHER, FLAT, STAINLESS #10, 11/16 O.D. | |

Knife Arm Assembly – 5000107



| ITEM | Q'TY | PART NO. | DESCRIPTION | OLD P/N |
|------|------|----------|--|------------|
| 1 | 1 | 5000079 | KNIFE BLADE 2" | BL201 |
| 2 | 1 | 5000841 | FAB/WELD – KNIFE ARM | C22-23-067 |
| 3 | 1 | 5000108 | FAB – 2" KNIFE GUARD" | C22-23-068 |
| 4 | 1 | 5000112 | KNIFE GUARD PIVOT SHAFT 2" and 3" | C22-23-081 |
| 5 | 1 | 5000868 | BUSHING – FLANGE, 3/8" I.D., 1/2" O.D. | P1 |
| 6 | 1 | 5001256 | MOD – BUSHING KNIFE PIVOT | |
| 7 | 1 | 5000823 | SPRING KNIFE COVER | P16 |

Warranty Statement

Eastey Tape Cartridge

Warranty Statement

Eastey Enterprises warrants that all of the products it ships will be in good working order and free from defects in material and workmanship and will conform to the published specifications for that product.

Warranty Period

1 year (except for moving parts which are subject to normal wear, tear and replacement which are warranted to be free from defects in material and workmanship).

Taping Quality

Taping quality achieved in a given application is dependent on the installation, the material handling, and the maintenance provided. Eastey makes no warranty that the taping quality achieved in an application will be the same as that achieved on a test piece in our demo facility.

Shipping Policy

Customer pays all incoming shipping. If the item is defective and under warranty, Eastey pays return shipping charges for least costly method. If expedited shipping is desired, customer must furnish his shipping account and shipping fees will be charged to that account.

Warranty Verification

If you conclude that a product may be defective and may be covered by warranty, obtain a Return Material Authorization number by calling our technical support number (toll free at 1-800-835-9344, or 763-428-4846 or Fax: 763-795-8867 or e-mail: info@eastey.com) and return the defective item to Eastey. Eastey will analyze the product and, if found to be defective, we will, at our option, replace or repair the item. If the item is found to not be eligible for warranty, you will be notified and may decide on disposition. Defective products will be replaced or repaired as promptly as possible.

Warranty Eligibility

The warranty provided by Eastey Enterprises is only to the original buyer.

Limited Warranty

THE ABOVE WARRANTY IS EASTEYLUSIVE AND IN LIEU OF ALL OTHER WARRANTIES, WHETHER EXPRESSED OR IMPLIED, INCLUDING THE IMPLIED WARRANTIES OF MERCHANTABILITY, FITNESS FOR A PARTICULAR PURPOSE AND NONINFRINGEMENT.

Disclaimer of Damages

REGARDLESS OF WHETHER ANY REMEDY SET FORTH HEREIN FAILS OF ITS ESSENTIAL PURPOSE, IN NO EVENT WILL EASTEY ENTERPRISES, INC. BE LIABLE FOR ANY SPECIAL, CONSEQUENTIAL, INDIRECT OR SIMILAR DAMAGES,

INCLUDING LOST PROFIT OR LOST OPPORTUNITIES OF ANY TYPE ARISING OUT OF THE USE OR INABILITY TO USE THESE PRODUCTS EVEN IF EASTEY ENTERPRISES, INC. HAS BEEN ADVISED OF THE POSSIBILITY OF SUCH DAMAGES.

Customer Support

Eastey Technical Service

For help setting up or operating Eastey Case Sealers, please contact Eastey Technical Service at one of the numbers listed below.

| | |
|-----------------|--|
| Toll-Free Phone | 800-835-9344 |
| Phone | 763-428-4846 |
| Fax | 763-795-8867 |
| E-mail | info@eastey.com |
| Web | www.eastey.com |

Thanks again for your purchase of Eastey products. We are pleased to be a part of your packaging needs.



EASTEY®